



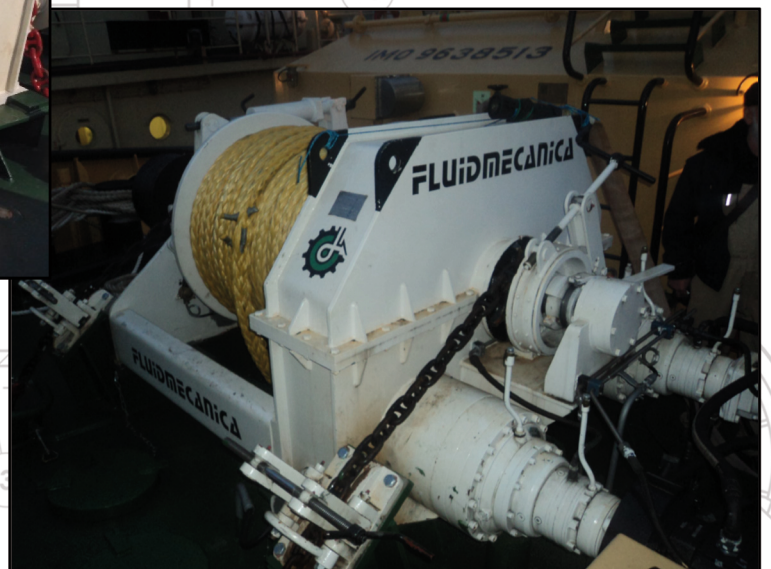
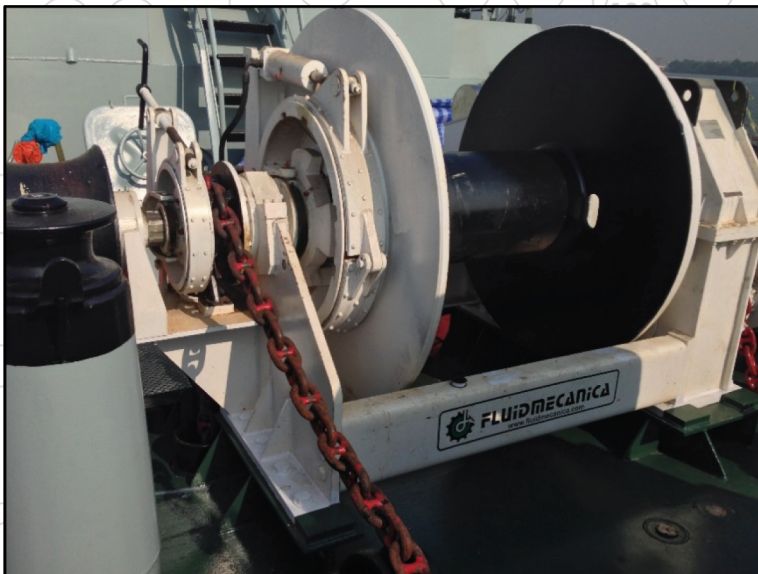
FLUIDMECCANICA

ANCHOR WINDLASSES



Windlasses with warping heads of cast steel hawsers tillage. Chain lifter of cast steel provides with clutch to allow independent operation of the warping heads, with independent brakes.

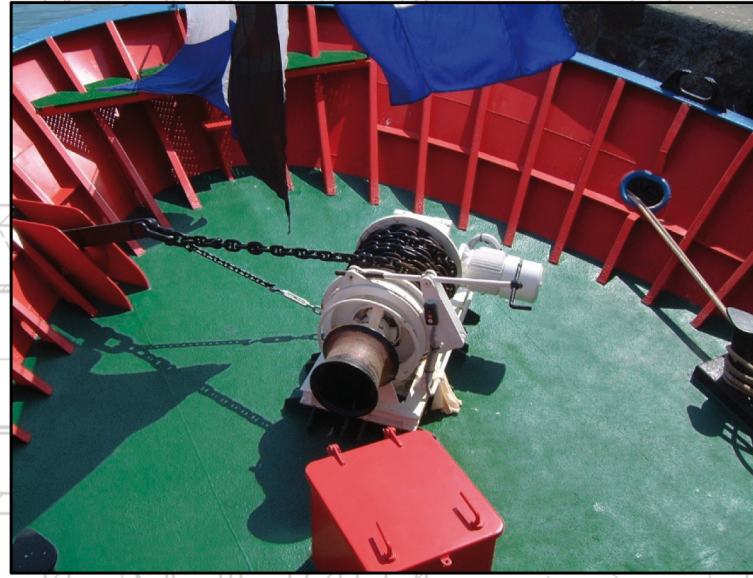
All items will be supplied joined to the same skid and it is only necessary to fit to deck with bolts. Primer move is one hydraulic motor or electric motor.





FLUIDMECCANICA

ANCHOR WINDLASSES



Main characteristics

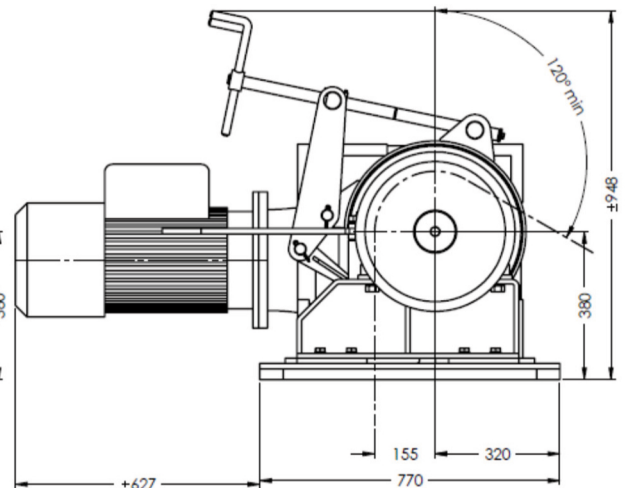
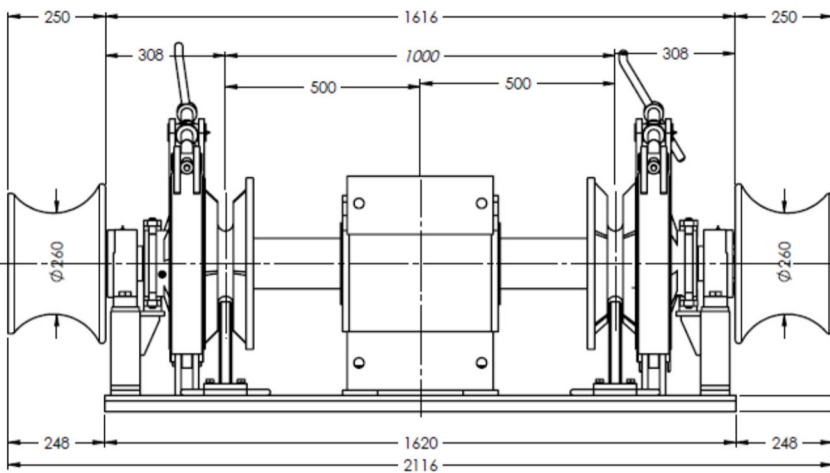
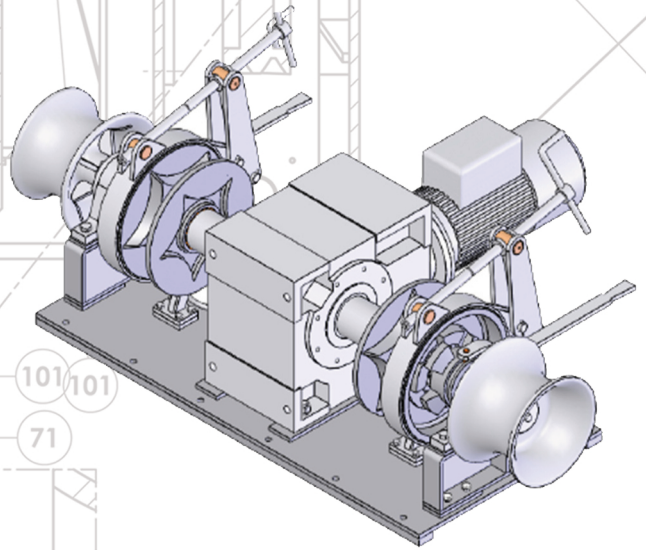
Nominal pull at chain gearup to 182 kN

Drive: electric, hydraulic or pneumatic

Chainup to 66 mm

Number of chain liftersup to 3

Number of warping drumsup to 2



www.fluidmeccanica.com